

4

3

2

1

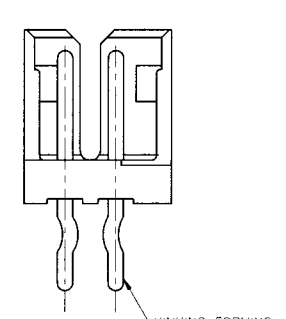
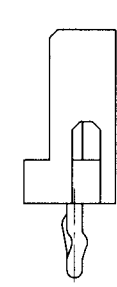
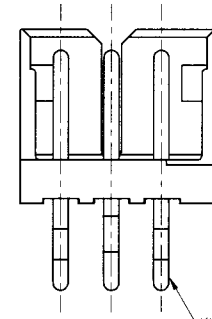
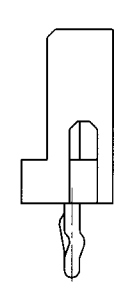
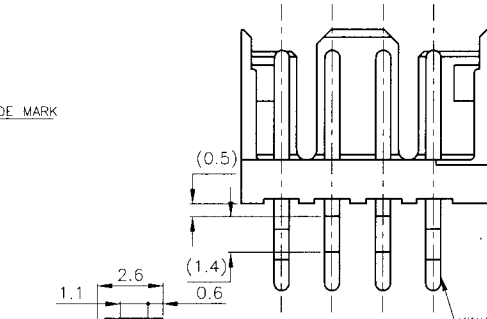
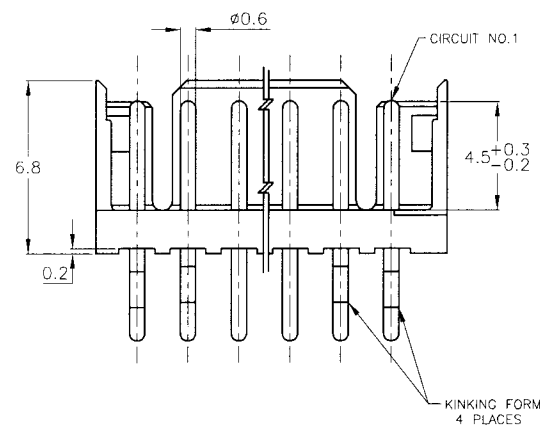
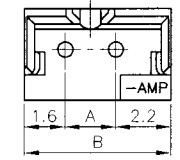
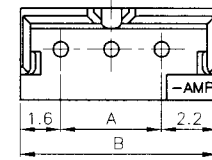
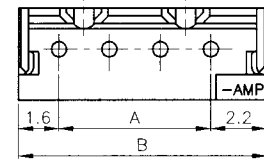
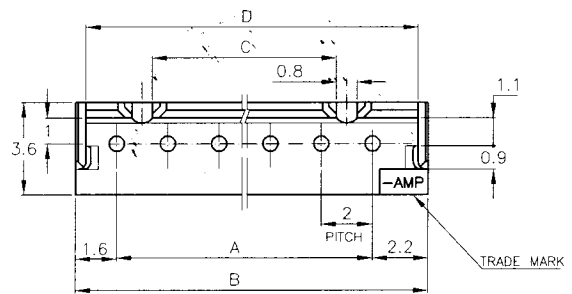
THIS DRAWING IS UNPUBLISHED. RELEASED FOR PUBLICATION

© COPYRIGHT BY TYCO ELECTRONICS CORPORATION. ALL RIGHTS RESERVED.

LOC FB DIST 00

REVISIONS

P	LTR	DESCRIPTION	DATE	DWN	APVD
0		RELEASED FB00-0013-03	23JAN03	J.J	T.S



4 POS.

3 POS.

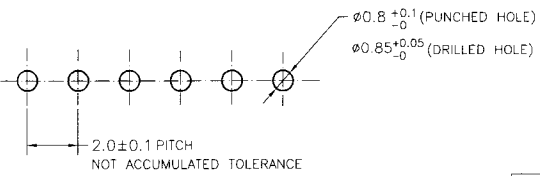
2 POS.

5~15 Pos.

NOTES:

- 1.MATERIAL: HOUSING - NYLON 66 (UL94V-0)
POST - TIN BRASS
- 2.APPLICABLE RECEPTACLE P/N 173977

	7-292161-5	5-292161-5	3-292161-5	1-292161-5	15	28	31.8	25.2	31.0				
	7-	-4	5-	-4	3-	-4	1-	-4	14	26	29.8	23.2	29.0
	7-	-3	5-	-3	3-	-3	1-	-3	13	24	27.8	21.2	27.0
9-292161-2	7-	-2	5-	-2	3-	-2	1-	-2	12	22	25.8	19.2	25.0
9-	-1	7-	-1	5-	-1	3-	-1	1-	11	20	23.8	17.2	23.0
9-	-0	7-	-0	5-	-0	3-	-0	1-	10	18	21.8	15.2	21.0
8-	-9	6-	-8	4-	-8	2-	-9		9	16	19.8	13.2	19.0
8-	-8	6-	-8	4-	-8	2-	-8		8	14	17.8	11.2	17.0
8-	-7	6-	-7	4-	-7	2-	-7		7	12	15.8	9.2	15.0
8-	-6	6-	-6	4-	-6	2-	-6		6	10	13.8	7.2	13.0
8-	-5	6-	-5	4-	-5	2-	-5		5	8	11.8	5.2	11.0
8-	-4	6-	-4	4-	-4	2-	-4		4	6	9.8	3.2	9.0
8-	-3	6-	-3	4-	-3	2-	-3		3	4	7.8	—	7.0
8-292161-2	6-292161-2	4-292161-2	2-292161-2	292161-2					2	2	5.8	—	5.0
RED	BLACK	YELLOW	BLUE	NATURAL					Pos.	A	B	C	D



RECOMMENDABLE PCB LAYOUT (PCB THK:0.8-1.6)

TOLERANCES UNLESS OTHERWISE SPECIFIED:

10 > *	±0.2
30 > * > 10	±0.25
100 > * > 30	±0.3
ANGLE	±3'

THIS DRAWING IS A CONTROLLED DOCUMENT.

DIMENSIONS: MM	TOLERANCES UNLESS OTHERWISE SPECIFIED:
	0 PLC ±
	1 PLC ±
	2 PLC ±
	3 PLC ±
	4 PLC ±
MATERIAL SEE NOTE	FINISH SEE NOTE

THIS DRAWING IS A CONTROLLED DOCUMENT.

DWN S.XU 31JAN03
CHK S.YAO 31JAN03
APVD T.SASAKI 31JAN03

tyco Electronics
Tyco Electronics Corporation
SHANGHAI, CHINA

NAME: T. SASAKI
PRODUCT SPEC: 108-60016
APPLICATION SPEC: —
WEIGHT: —

POST HEADER ASS'Y VERTICAL TYPE (AMP CT CONNECTOR 2mm PITCH)

SIZE: A3 CAGE CODE: 00779 DRAWING NO: C-292161 RESTRICTED TO: —

CUSTOMER DRAWING SCALE: 5:1 SHEET: 1 OF 1 REV: 0